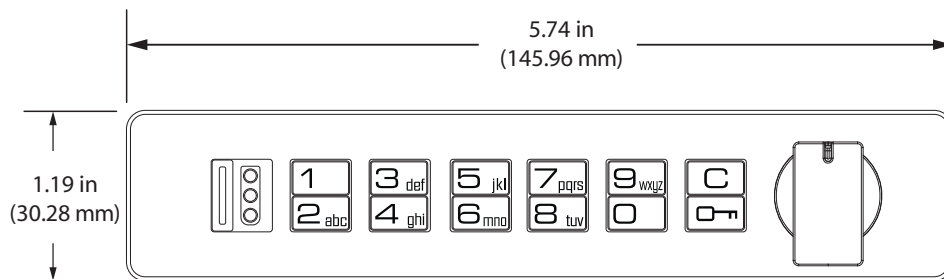


Features

- All metal housing
- Keypad operated
- Cam locking
- Assigned use functionality
- Accommodates multiple door thicknesses
- Unlocks with assigned user selected 4-digit code and turning the knob
- Locks by turning the knob
- Tamper guard
- Manger bypass functionality
- Visual & audible usage indicators
- Low battery and binding indicator
- Operates with (3) premium AA batteries
- Battery life expectancy is 3-5 years
- 2 Year product warranty

Numeris®

NNCK-APH



Mounting options: recess with separate battery back

Brushed nickel or anodized black finish

Management software

Programming box

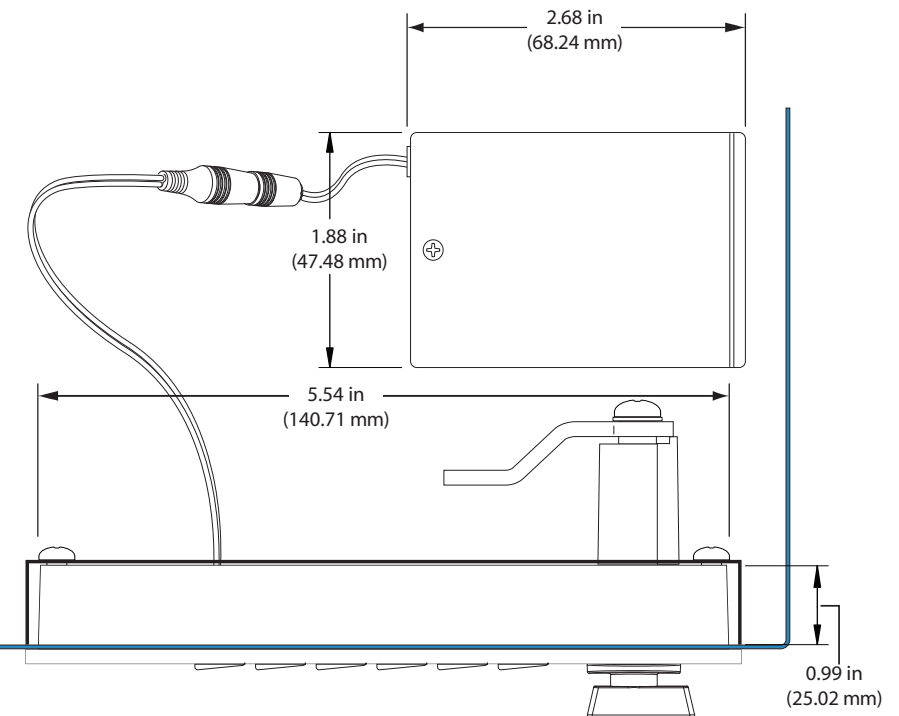
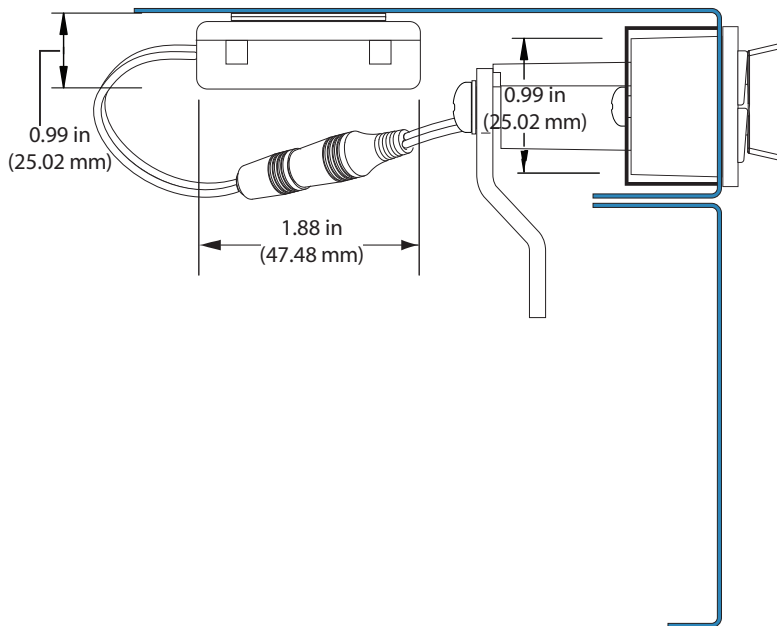
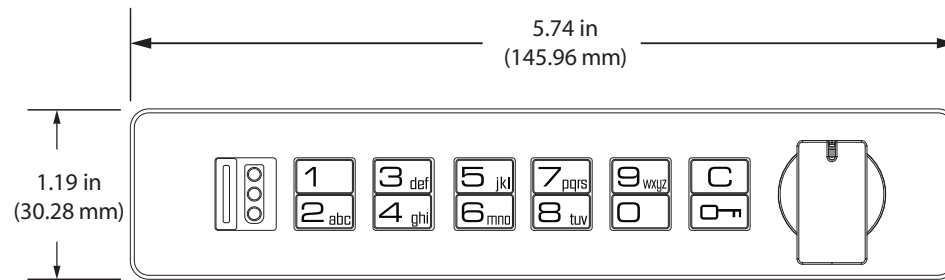
Utility key (1)

RFID access card (1 per user)

User key (optional)

Accessories . Options

front view



side view

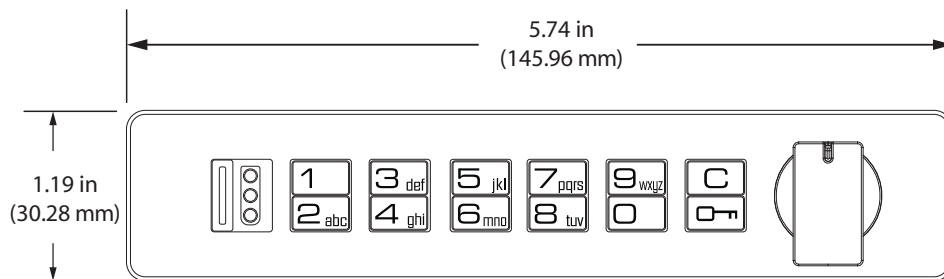
top view

Features

- All metal housing
- Keypad operated
- Cam locking
- Assigned use functionality
- Accommodates multiple door thicknesses
- Unlocks with assigned user selected 4-digit code and turning the knob
- Locks by turning the knob
- Tamper guard
- Manger bypass functionality
- Visual & audible usage indicators
- Low battery and binding indicator
- Operates with (3) premium AA batteries
- Battery life expectancy is 3-5 years
- 2 Year product warranty

numeris®

NNCK-APH



Mounting options: recess with incased battery back

Brushed nickel or anodized black finish

Management software

Programming box

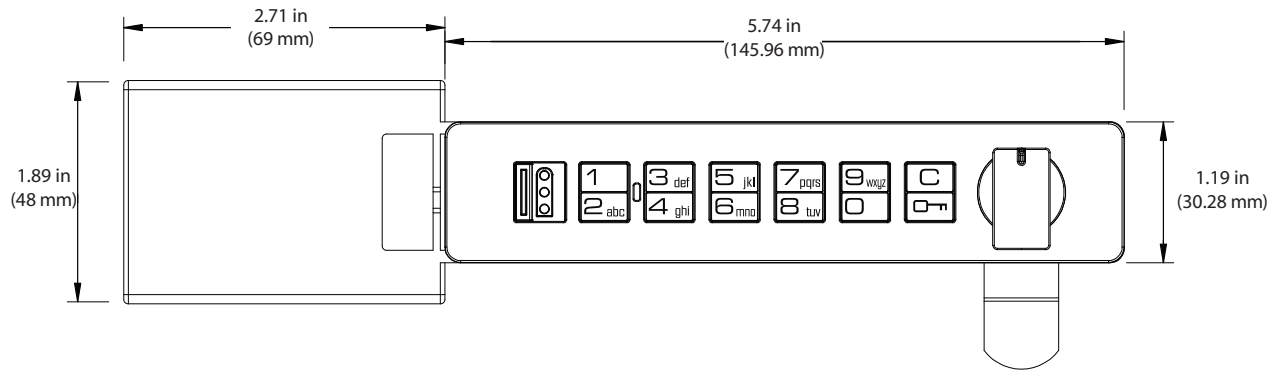
Utility key (1)

RFID access card (1 per user)

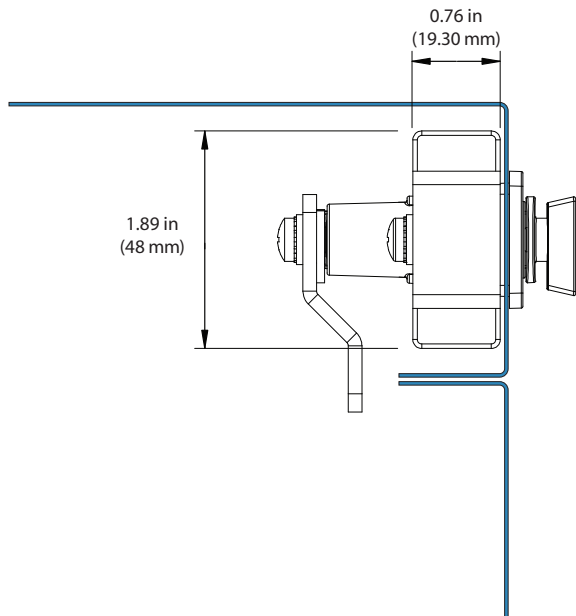
User key (optional)

Accessories . Options

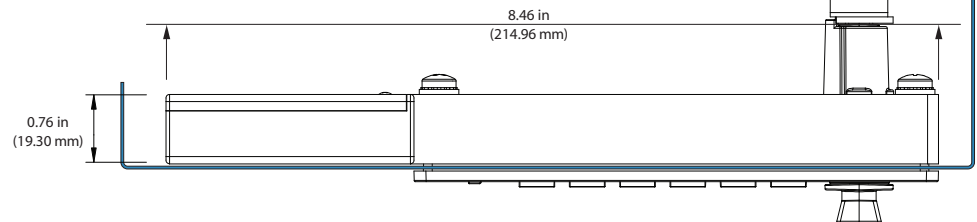
front view



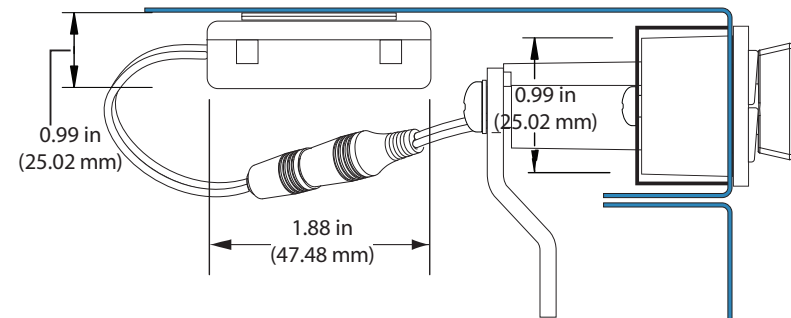
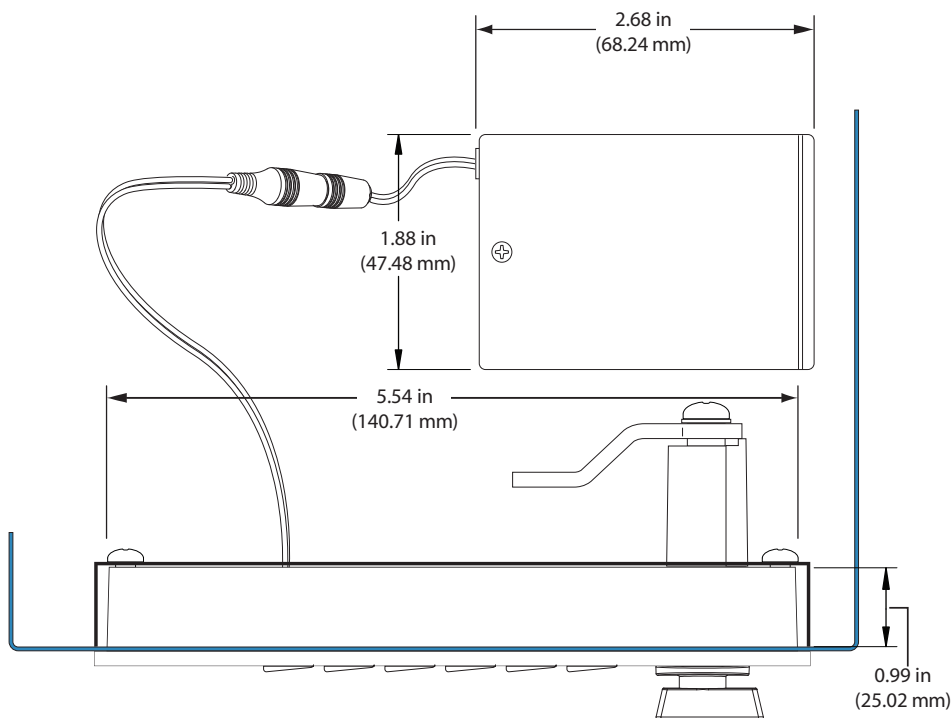
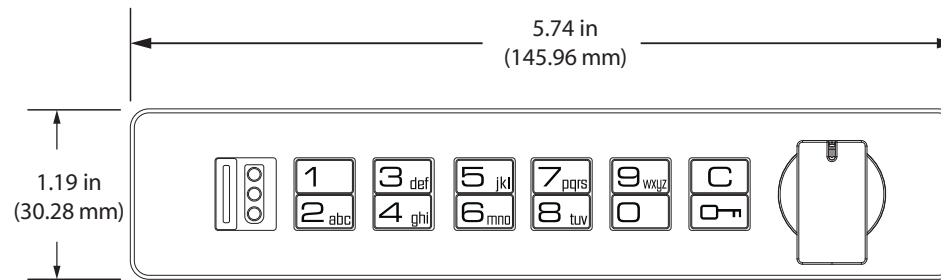
side view



top view



front view



side view

top view